

# 智能电脑罗拉车系列

INTELLIGENT SEWING MACHINE SERIES

## 使用说明及零件手册

INSTRUCTION MANUAL

AND

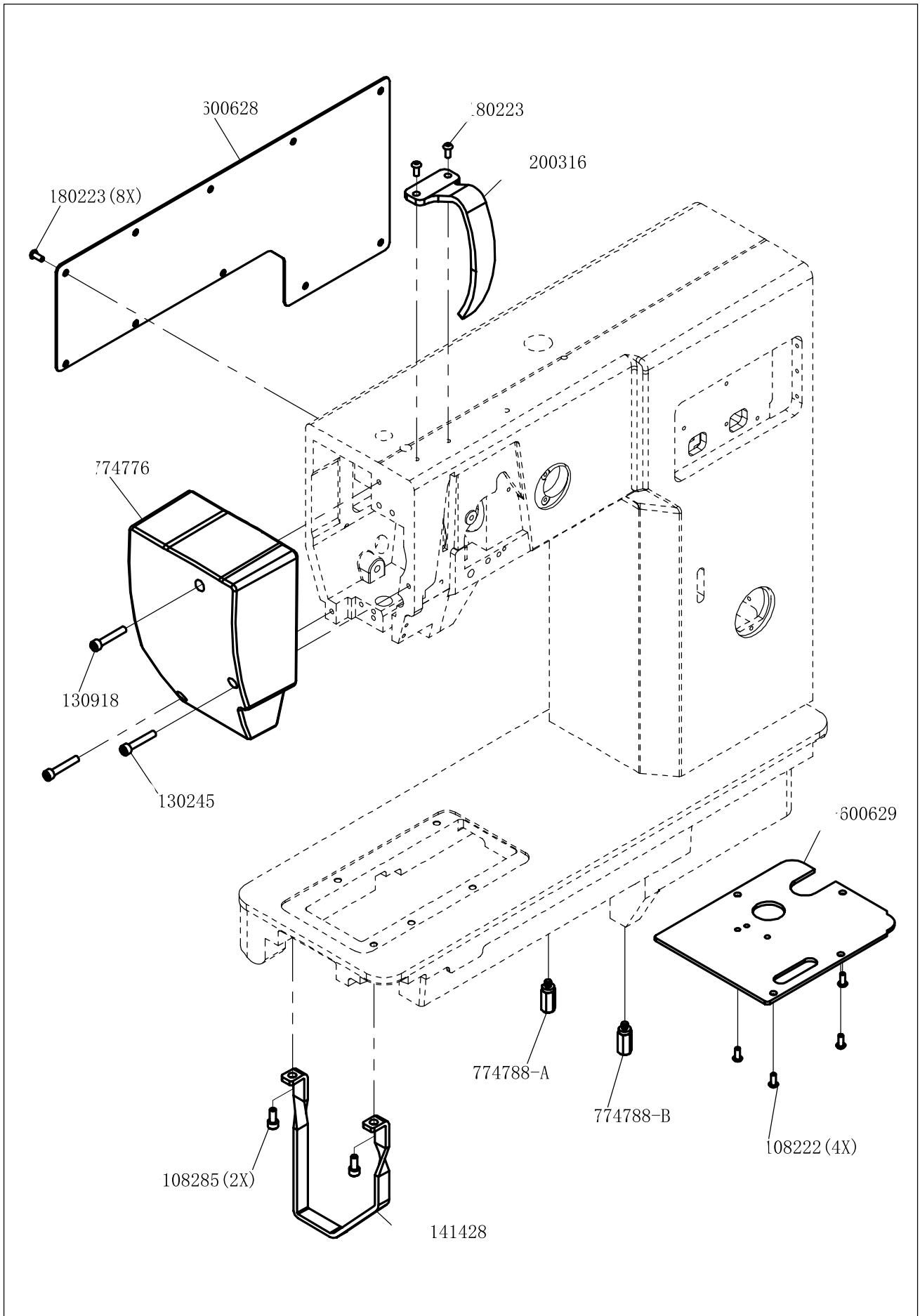
SPARE PARTS LIST

请在操作使用前仔细阅读此说明书并保留此  
说明书以供将来参考

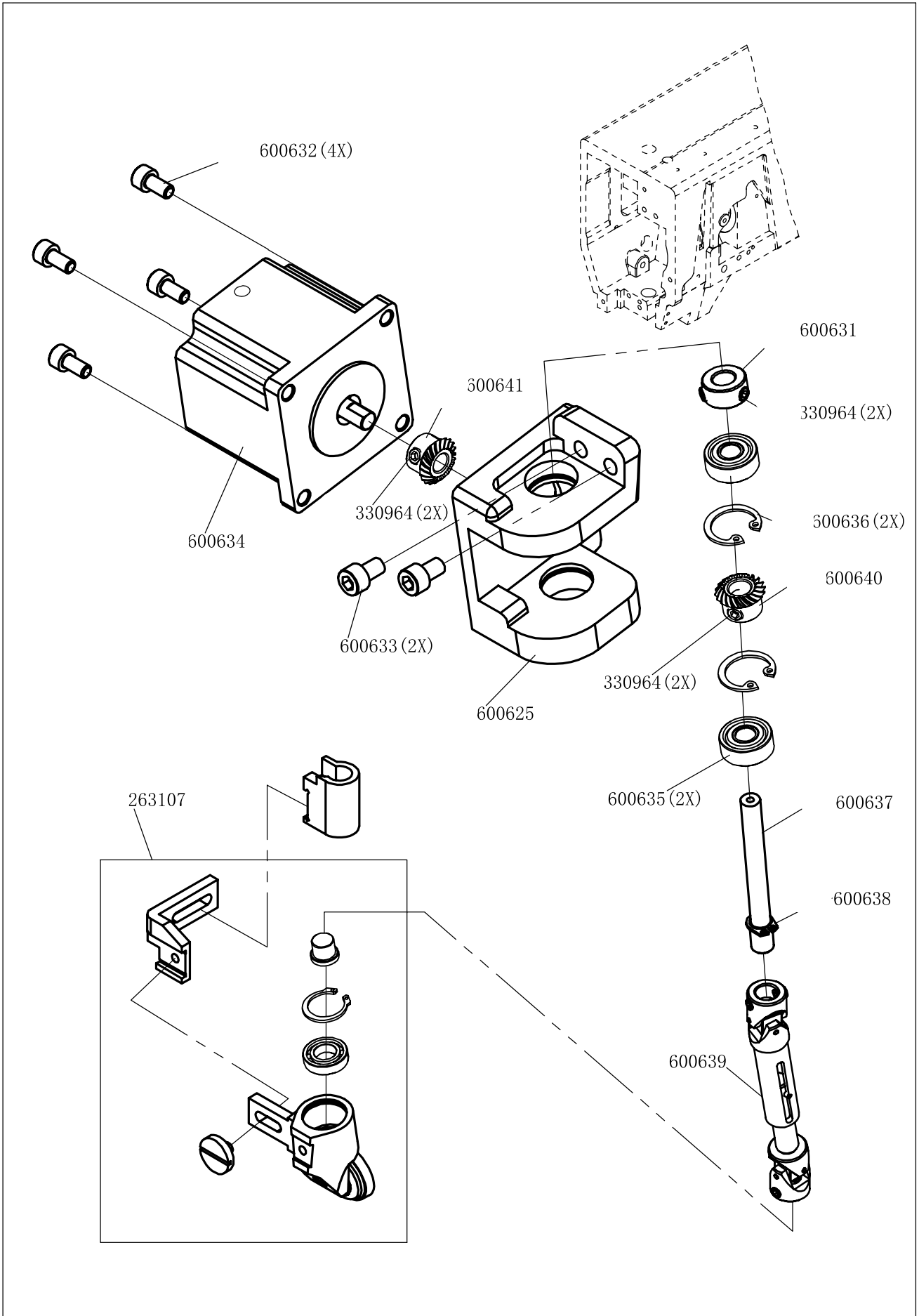
Please read instructions carefully and understand  
then before using

Retain this instruction manual for future reference

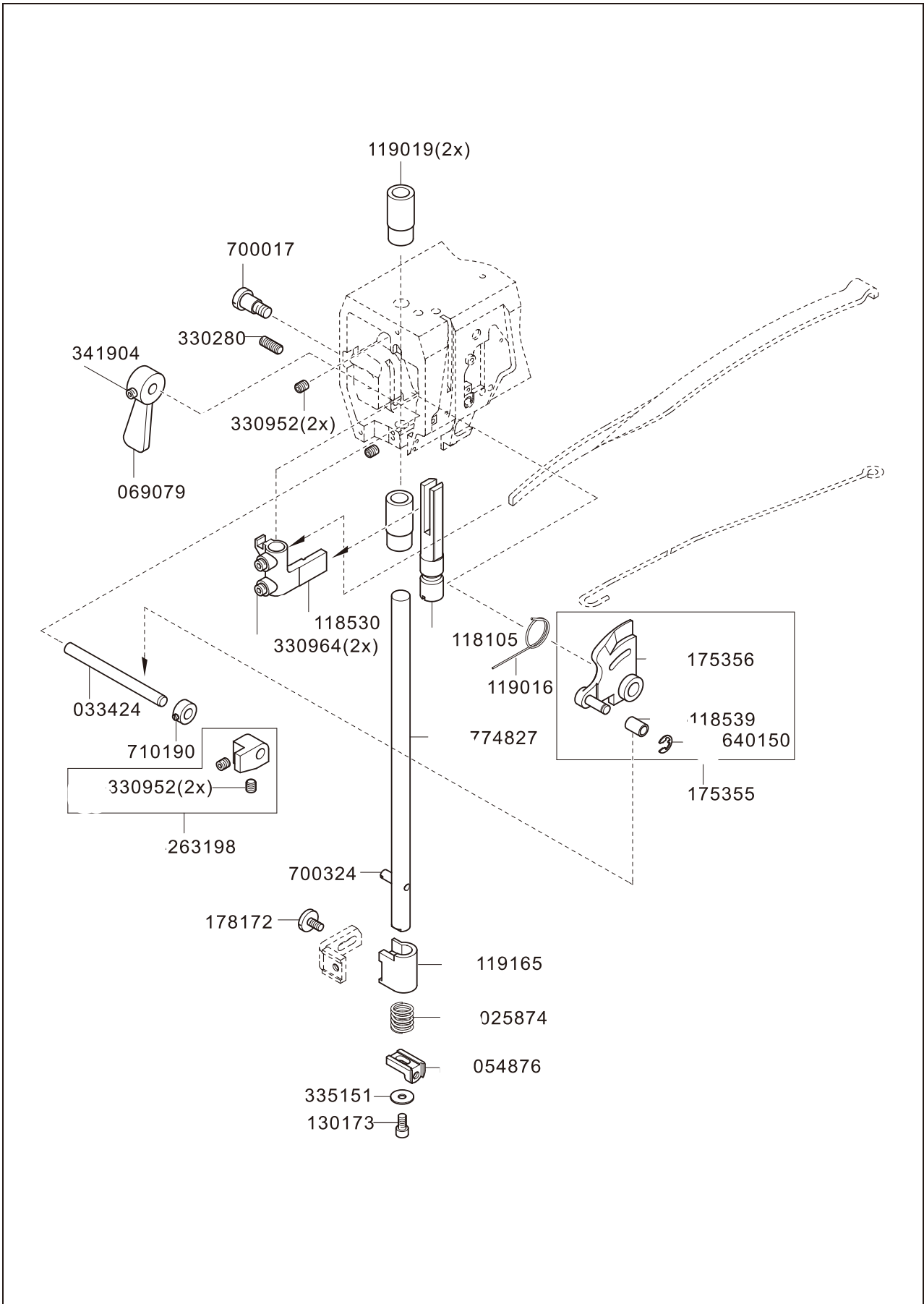
机身零件  
1. HOUSING SECTIONS



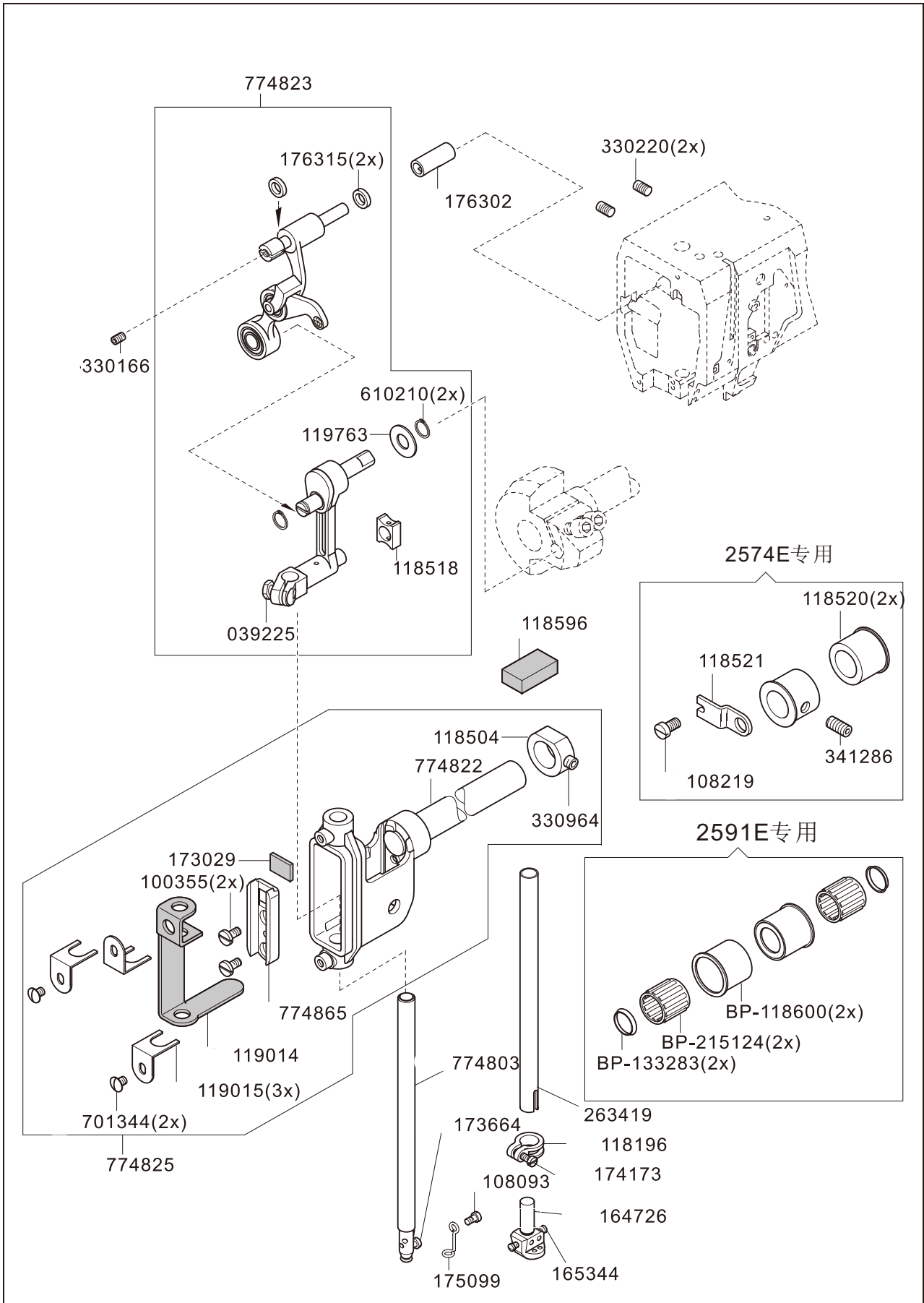
机身零件  
2. 01 HOUSING SECTIONS



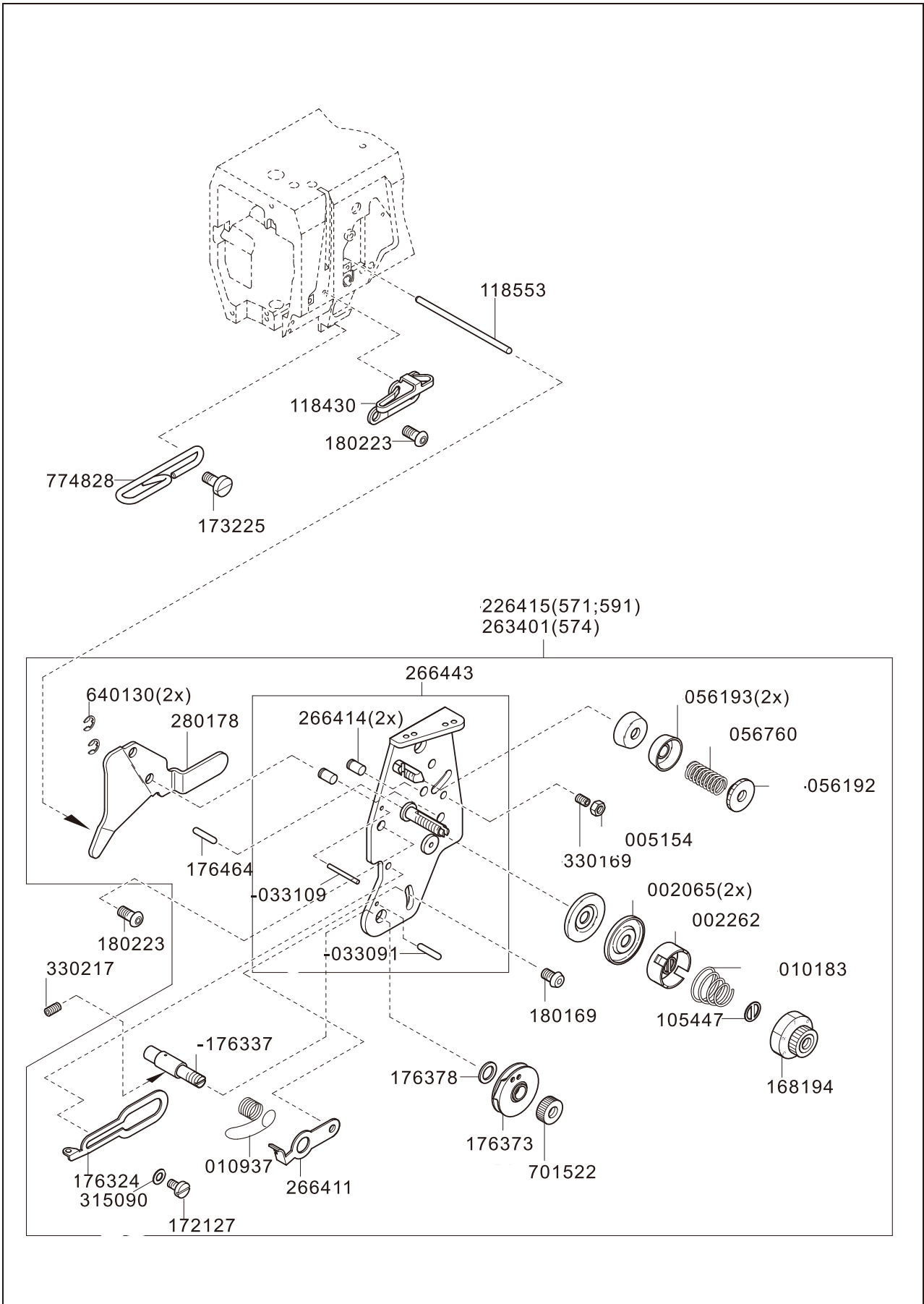
2.02 机头零件  
NEEDLE HEAD PARTS



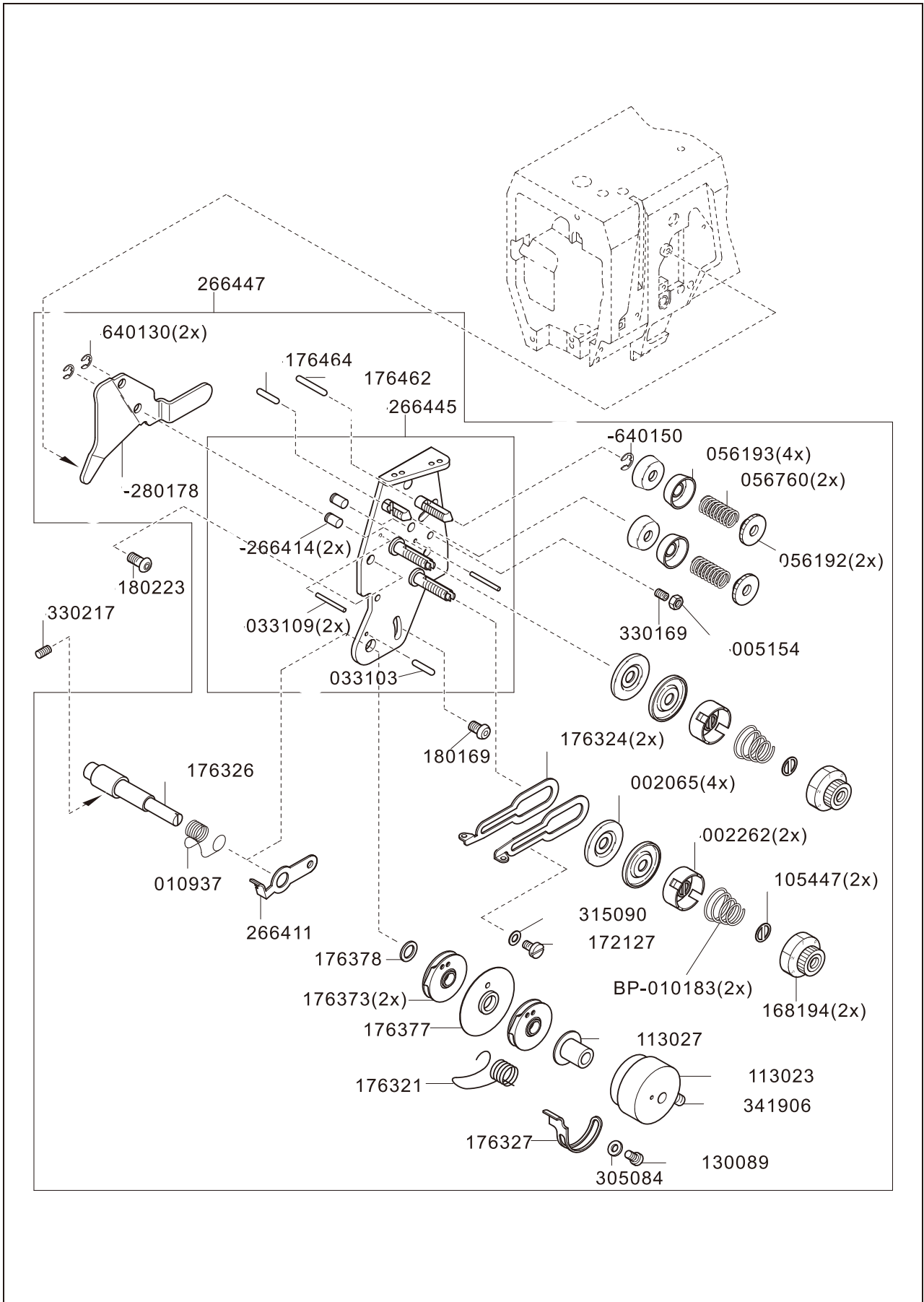
2.03 机头零件  
NEEDLE HEAD PARTS



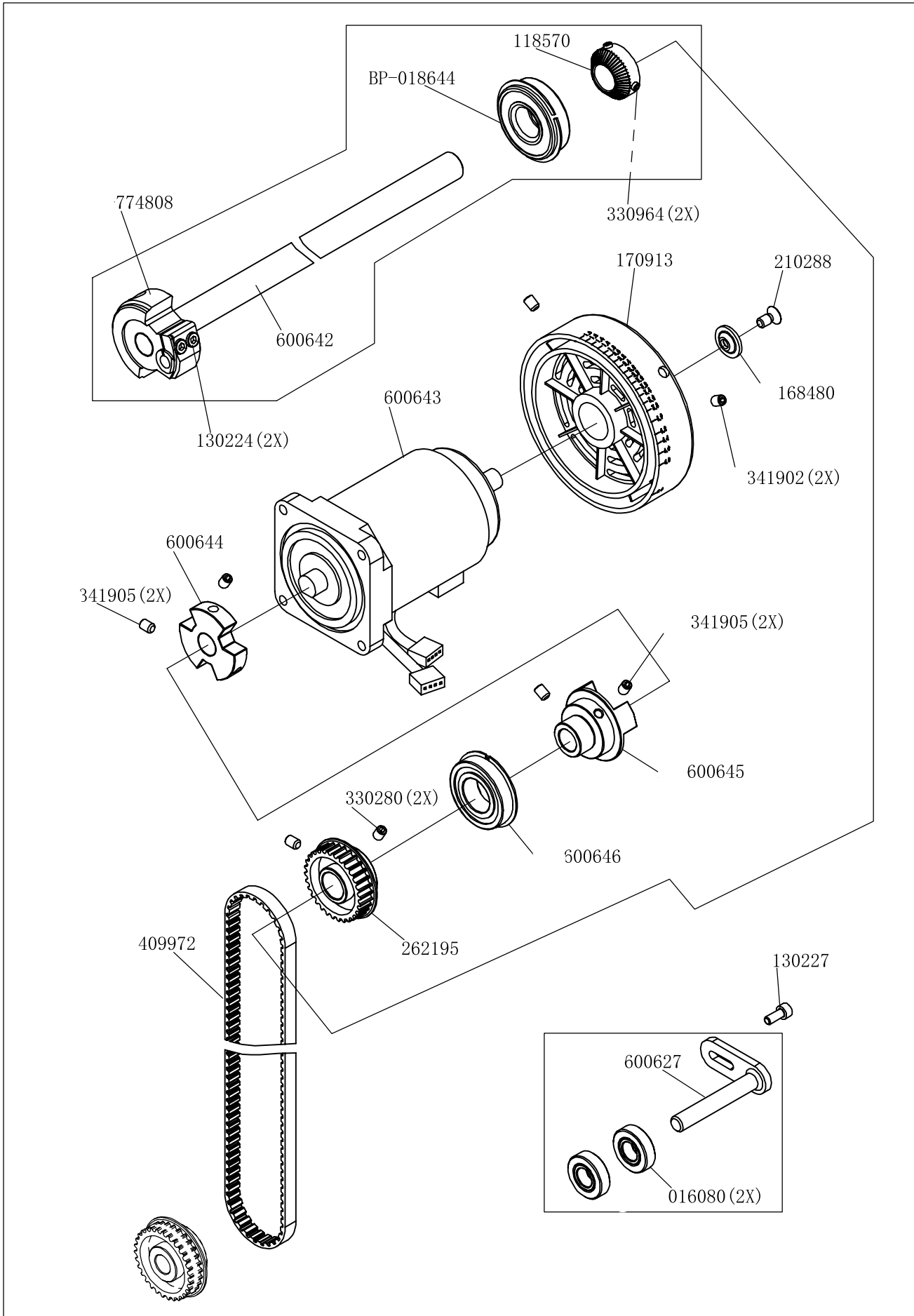
2.04 机头零件  
NEEDLE HEAD PARTS



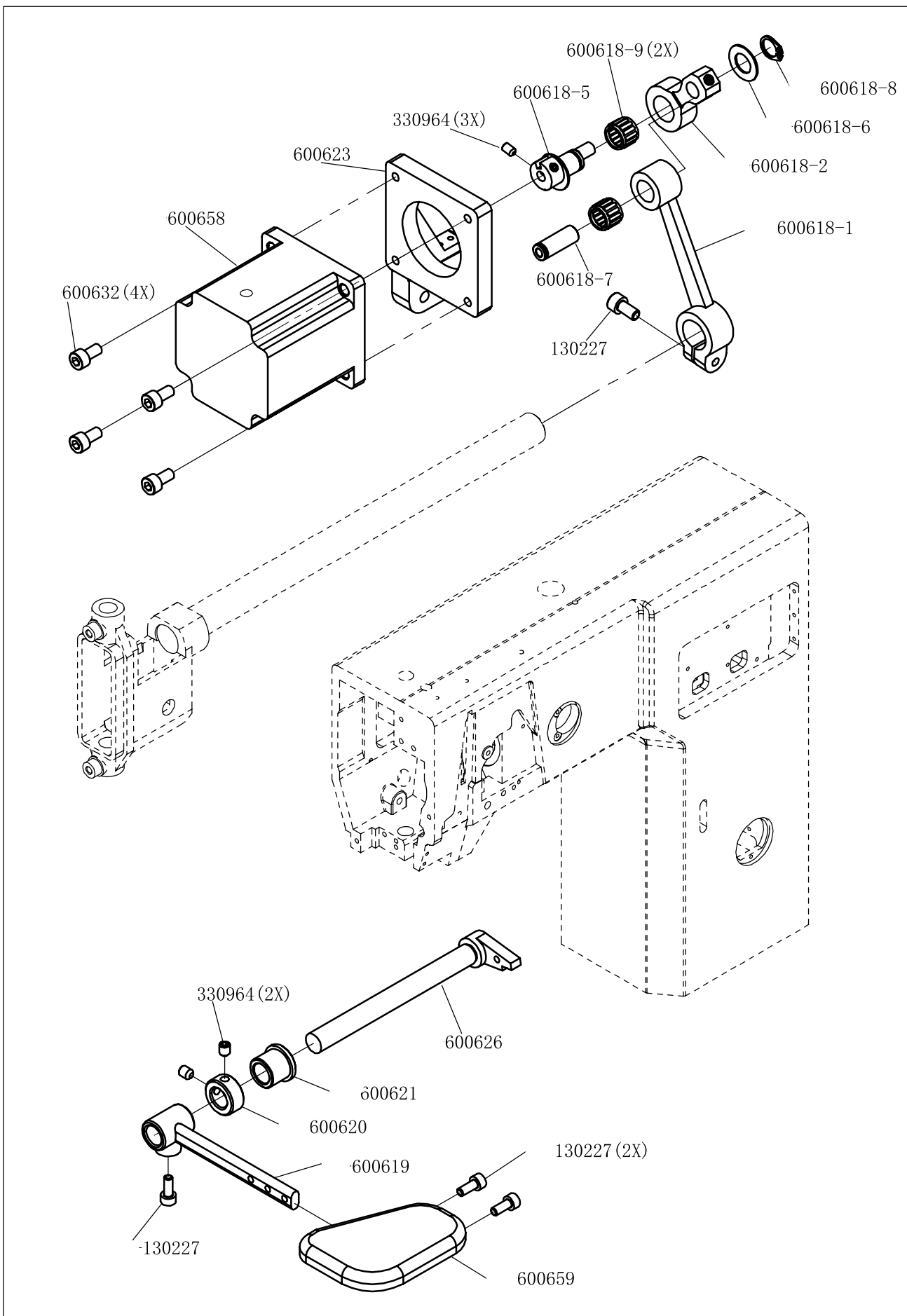
2.05 机头零件  
NEEDLE HEAD PARTS



机臂零件  
3.01 ARM PARTS

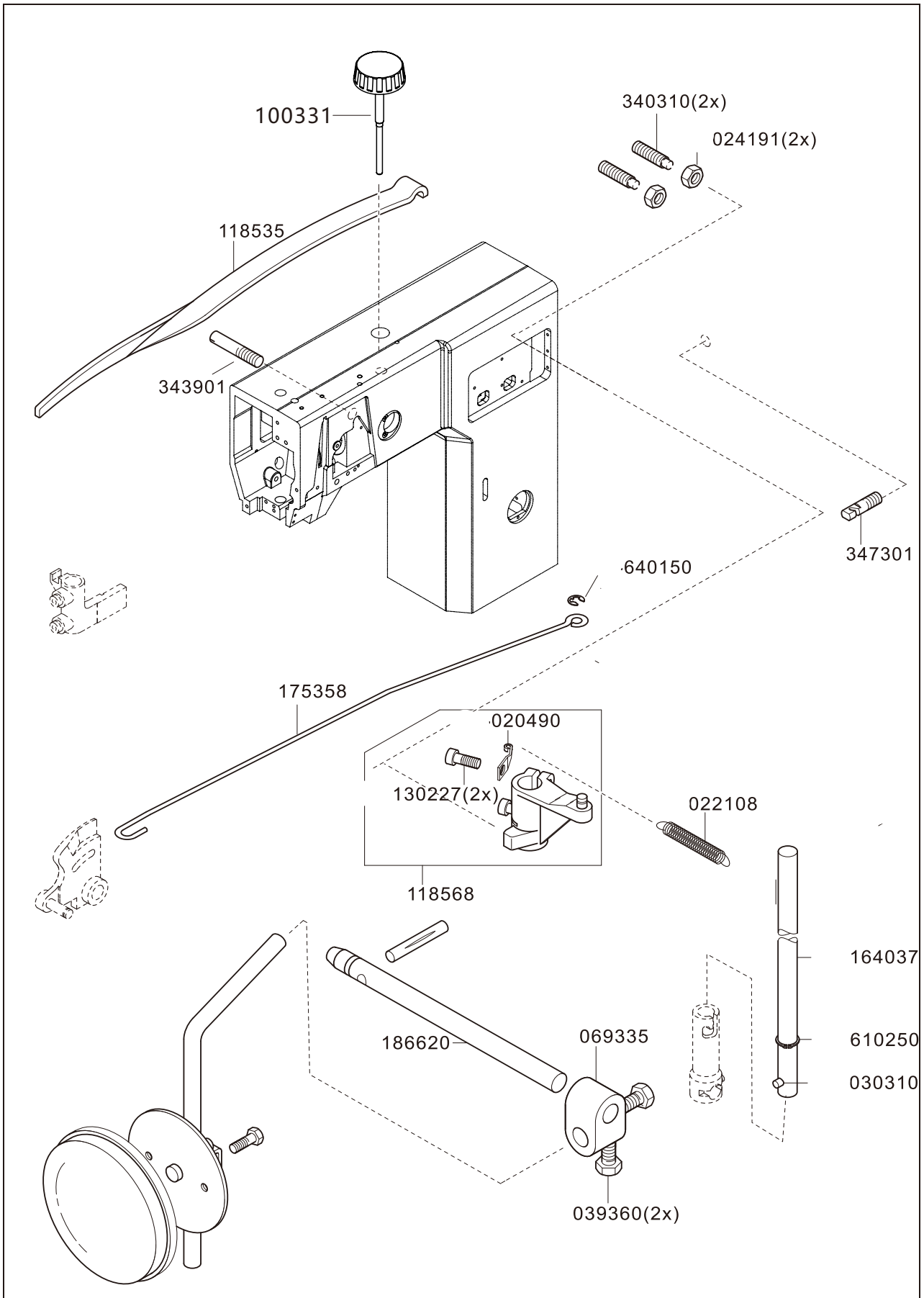


机臂零件  
3.02 ARM PARTS

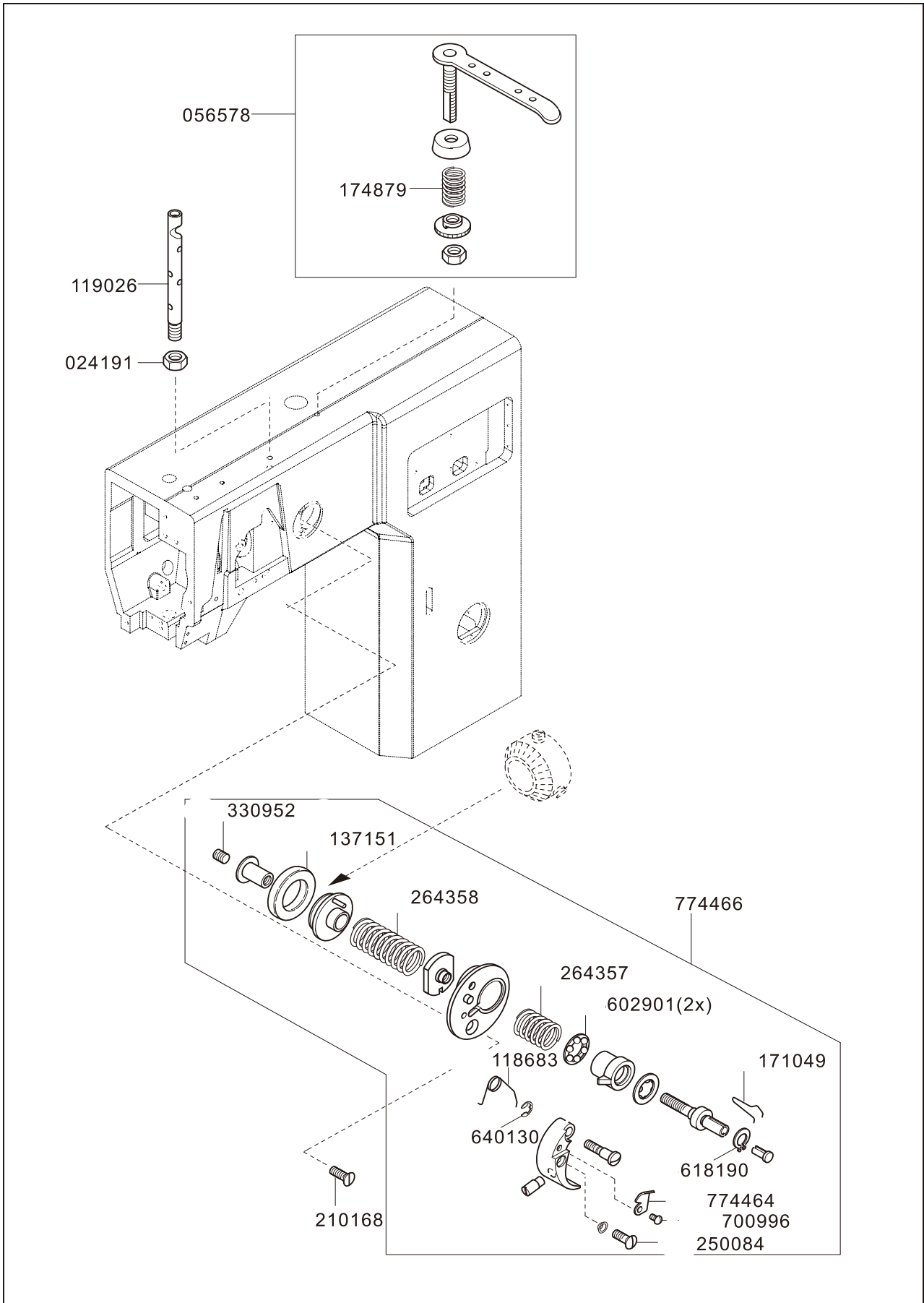


机臂零件

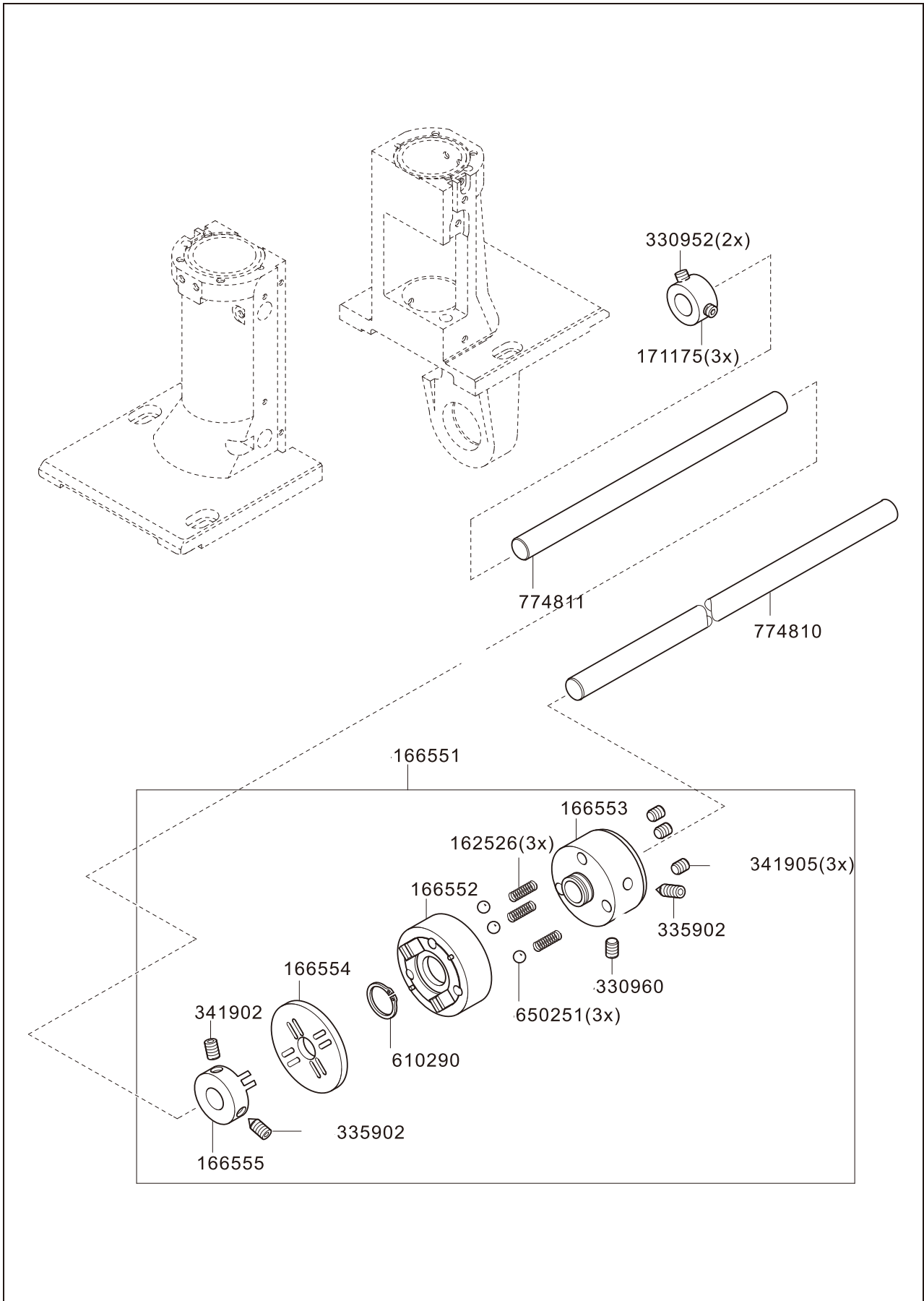
3.03 ARM PARTS

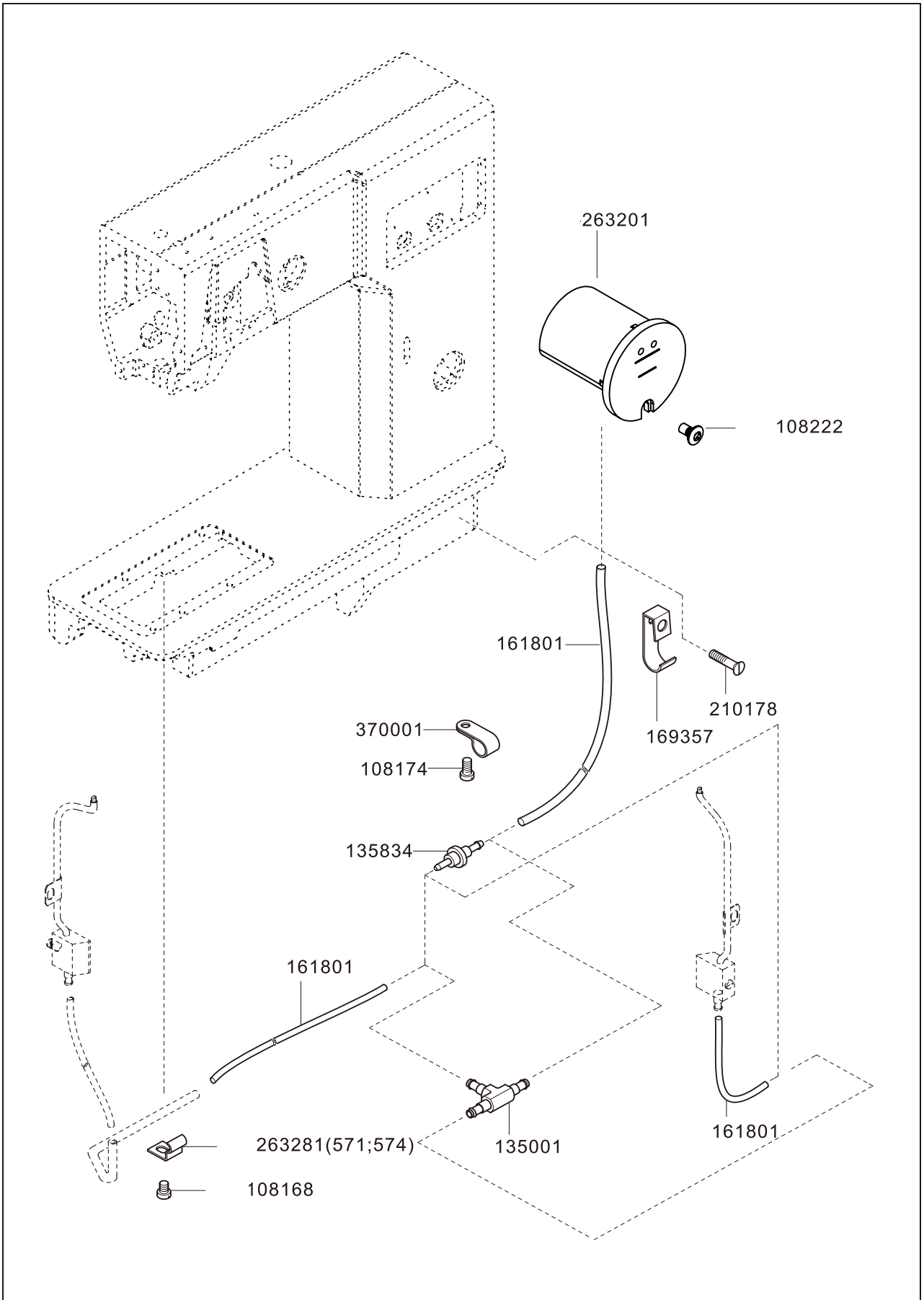


3.04 ARM PARTS

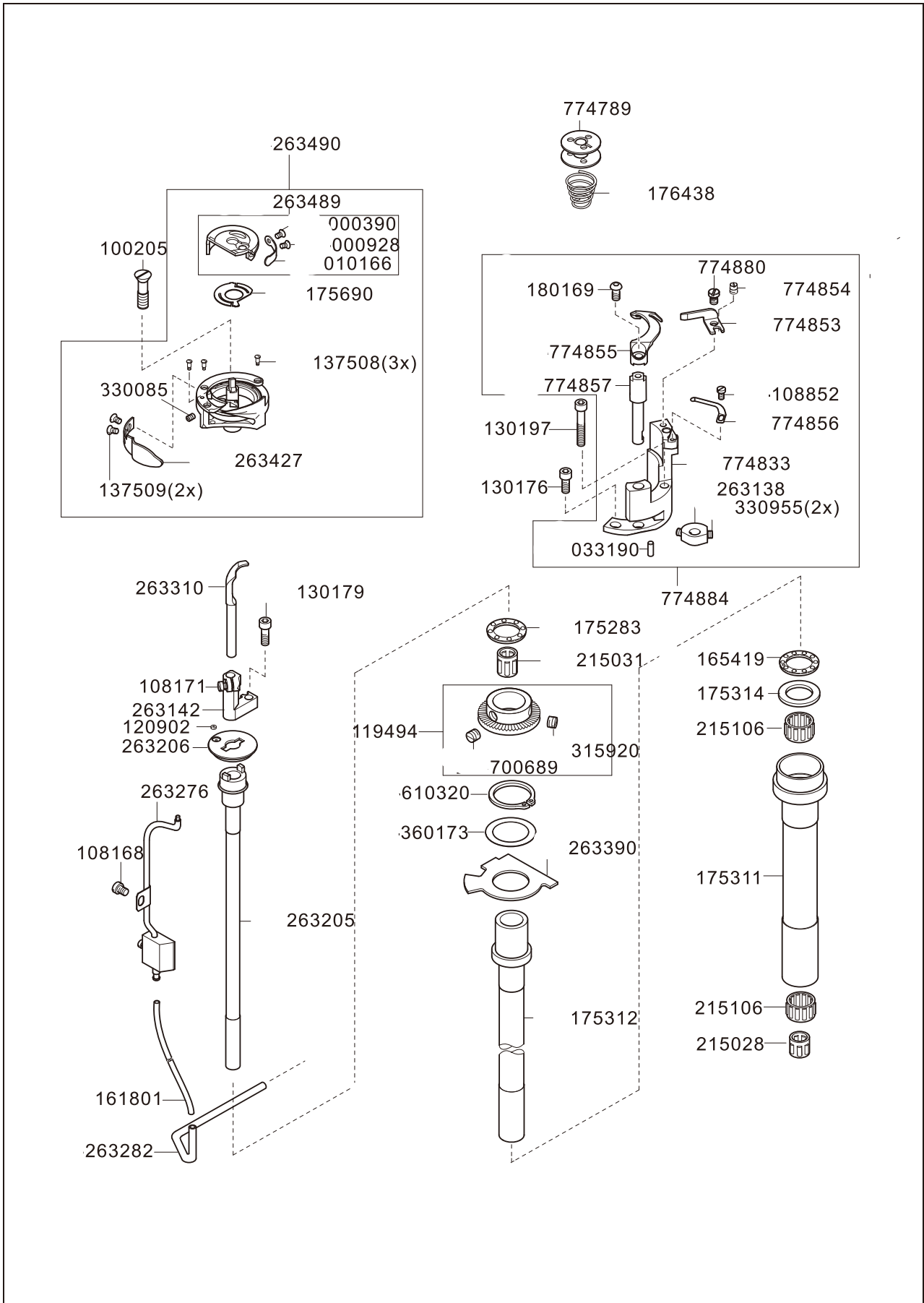


4.01 BEDPLATE PARTS

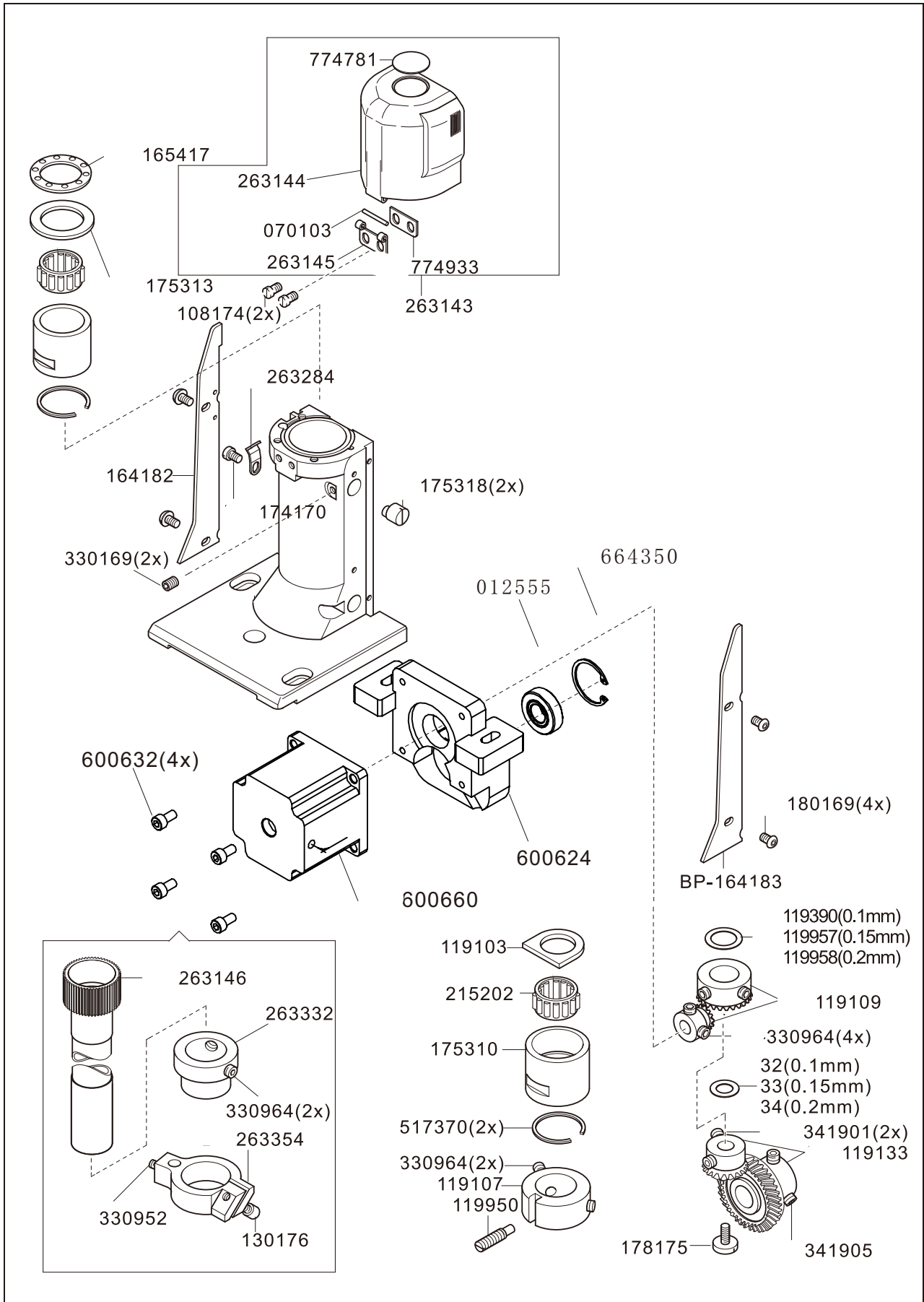




5.01 旋梭柱，左  
HOOK POST, LEFT

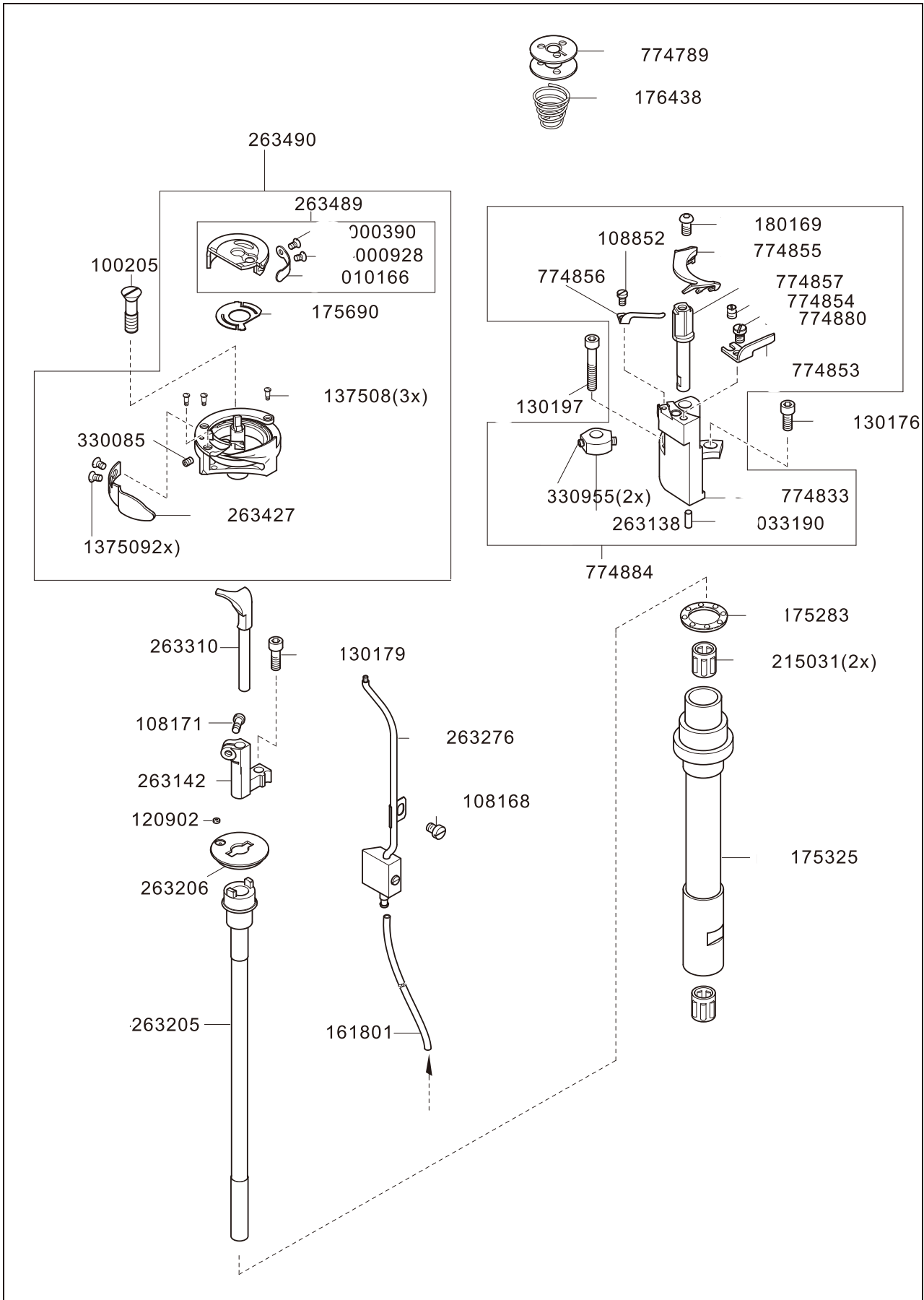


旋梭柱，左  
5.02 HOOK POST, LEFT



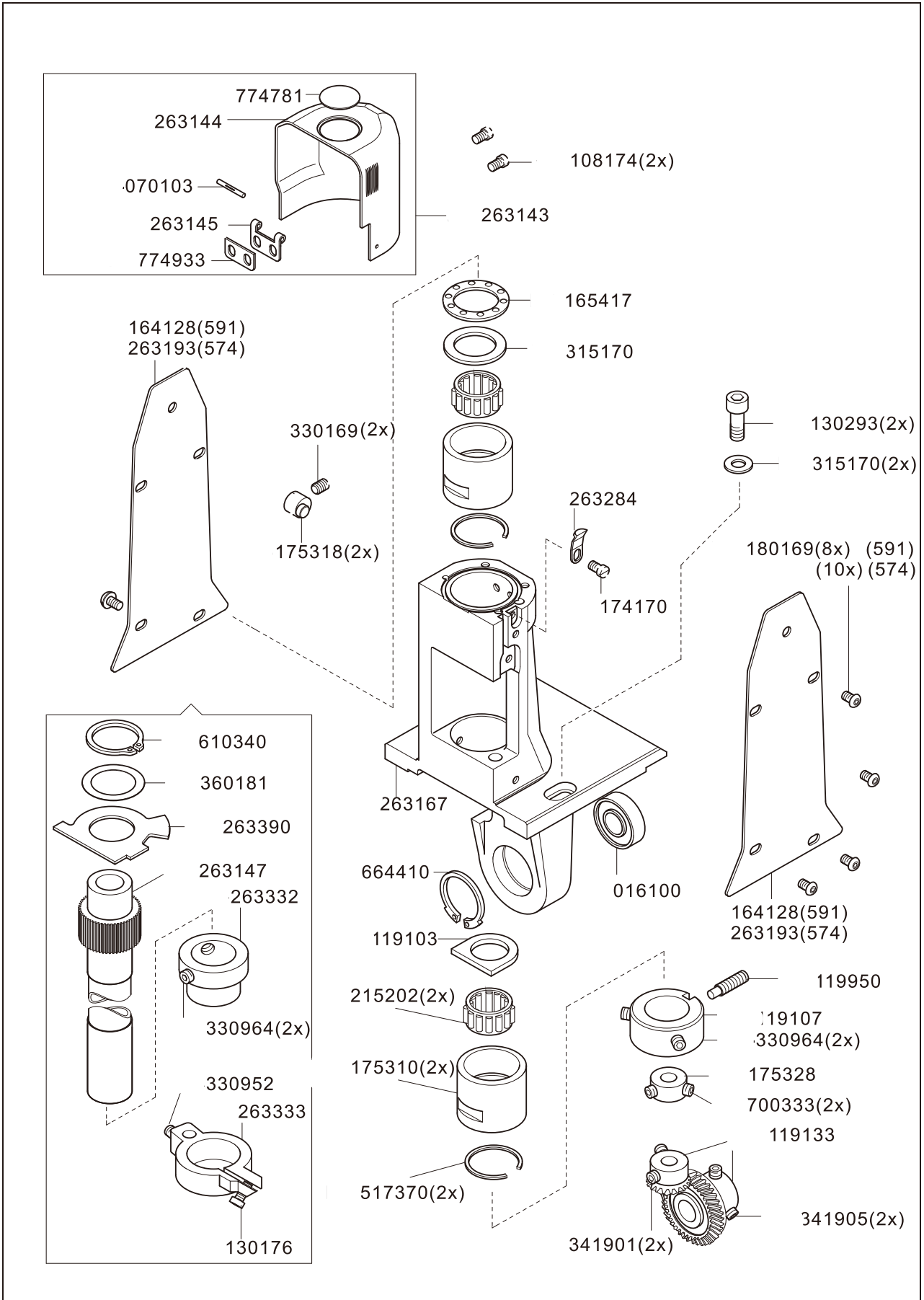
旋梭柱，右

6.01 HOOK POST, RIGHT



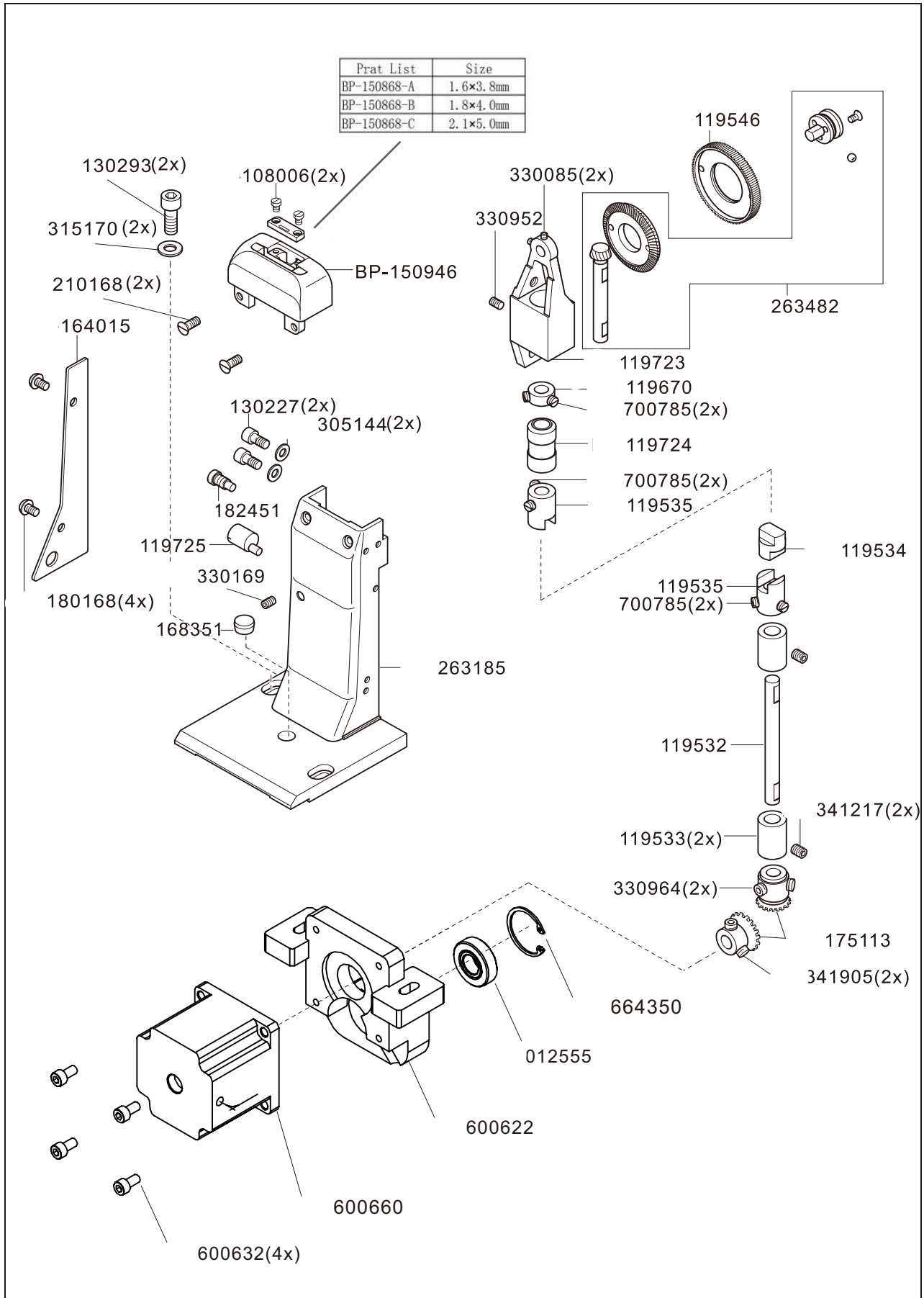
旋梭柱，右

6.02 HOOK POST, RIGHT



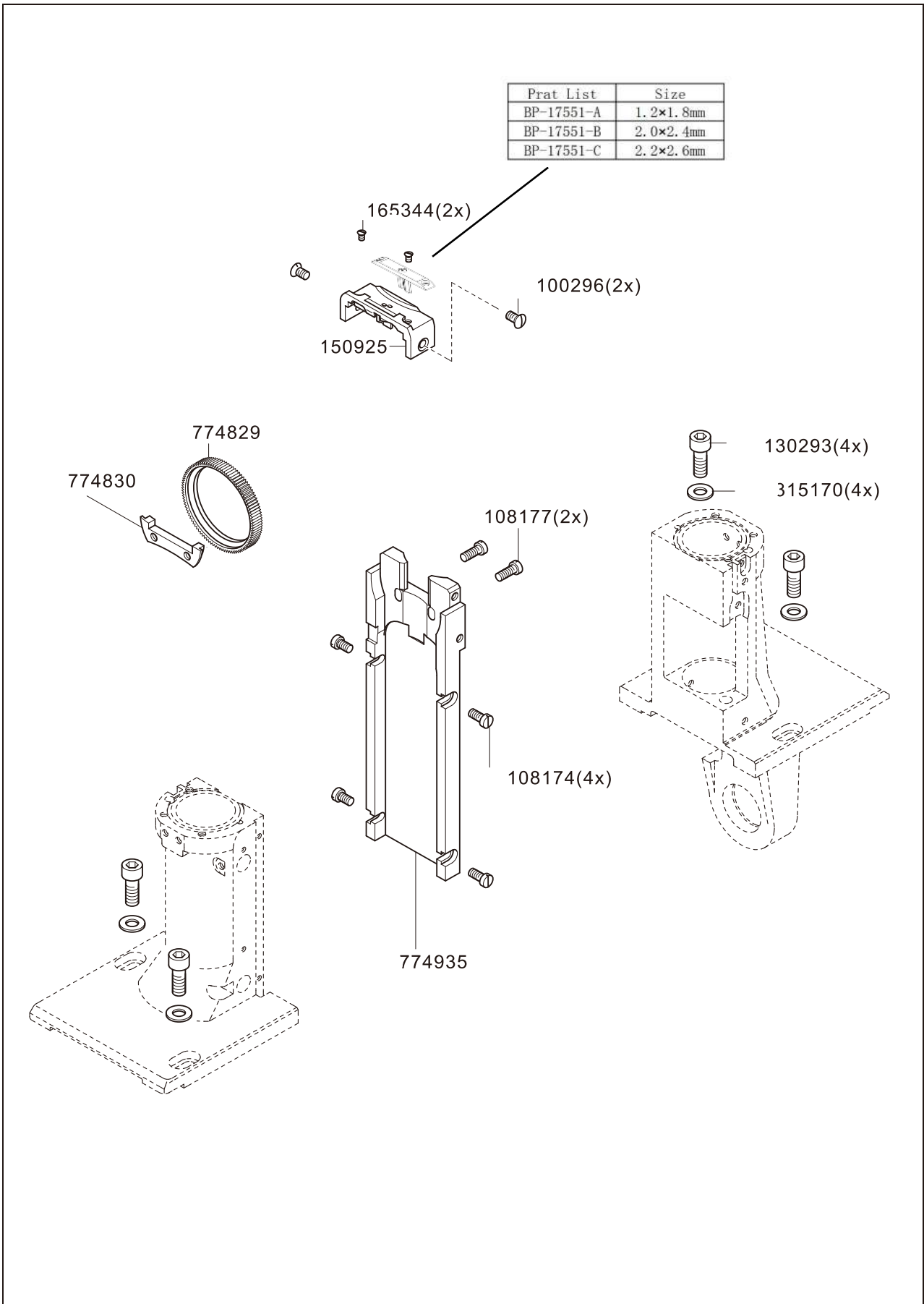
送料轮柱, 左

7 FEED WHEEL POST, LEFT



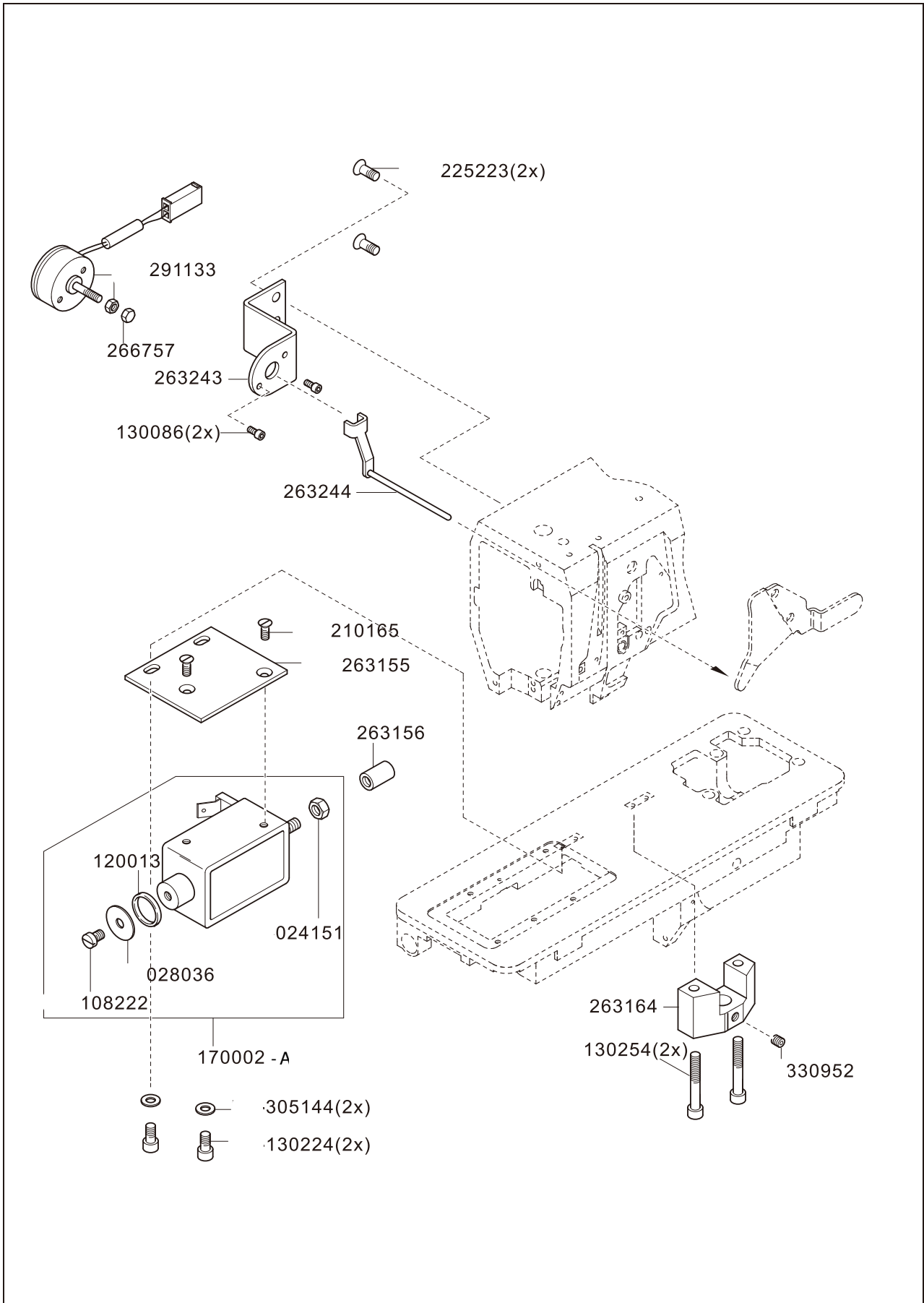
送料轮托板

8 FEED WHEEL MOUNTING PLATE



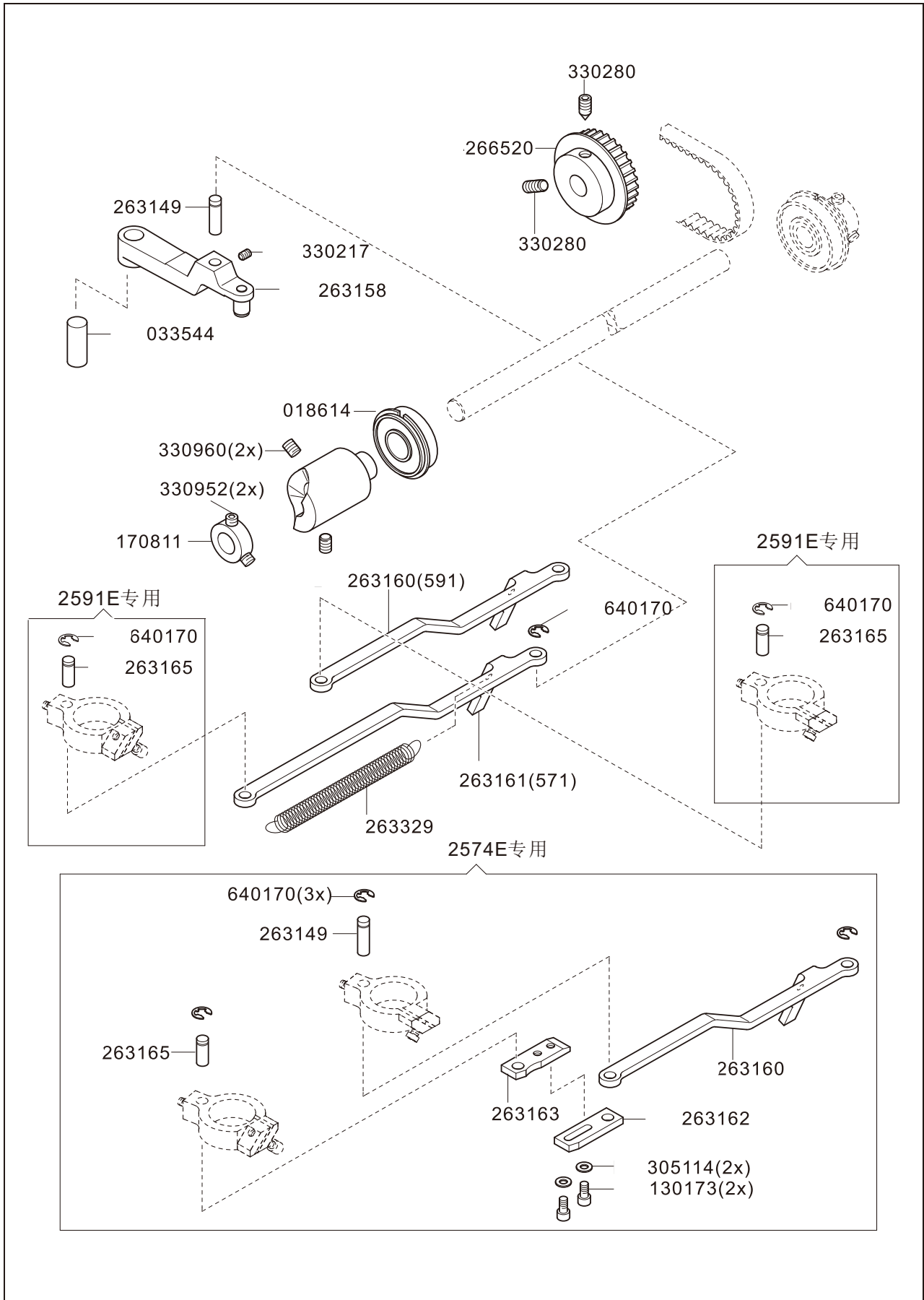
切线器

9.01 THREAD TRIMMER



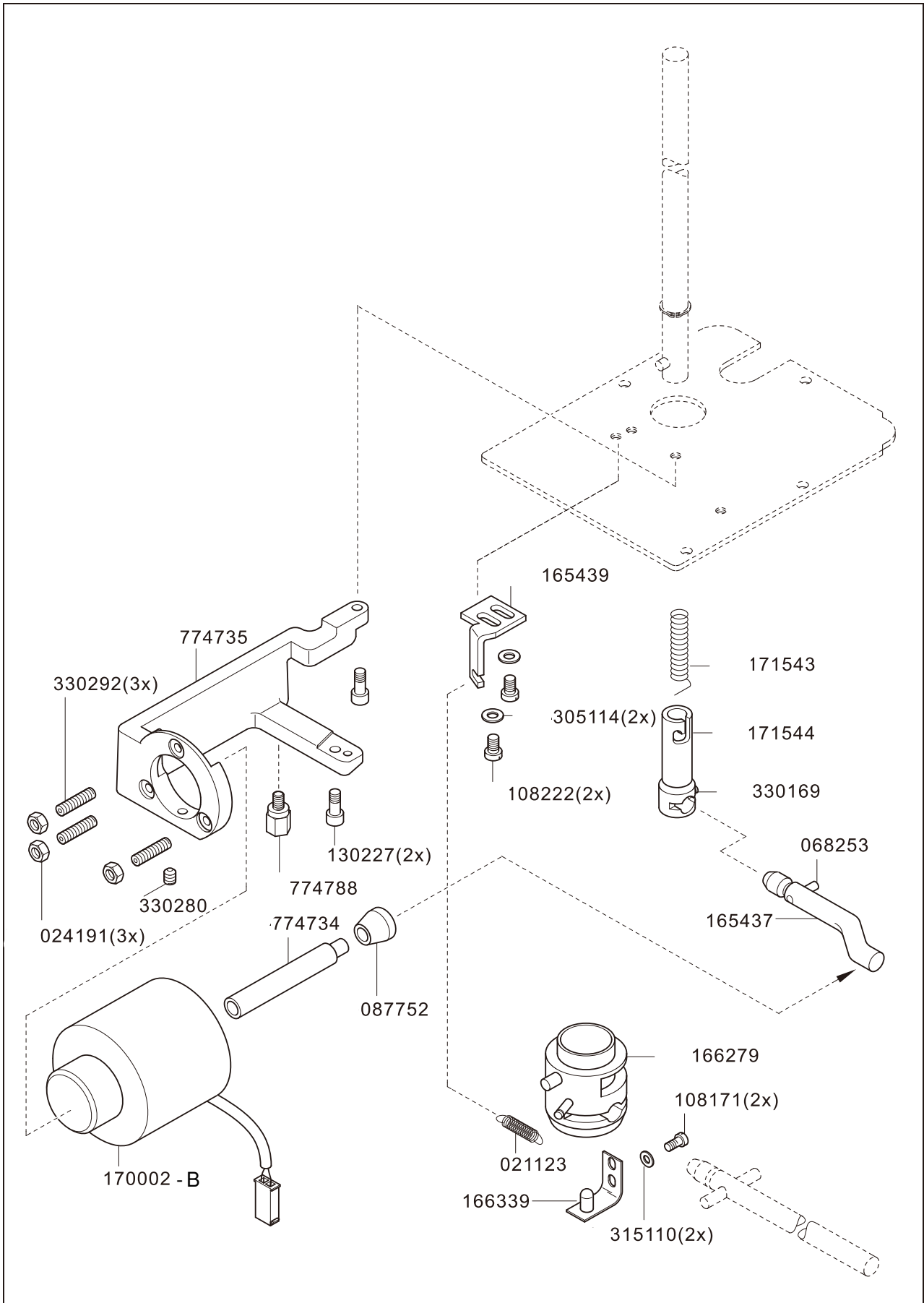
切线器

9.02 THREAD TRIMMER

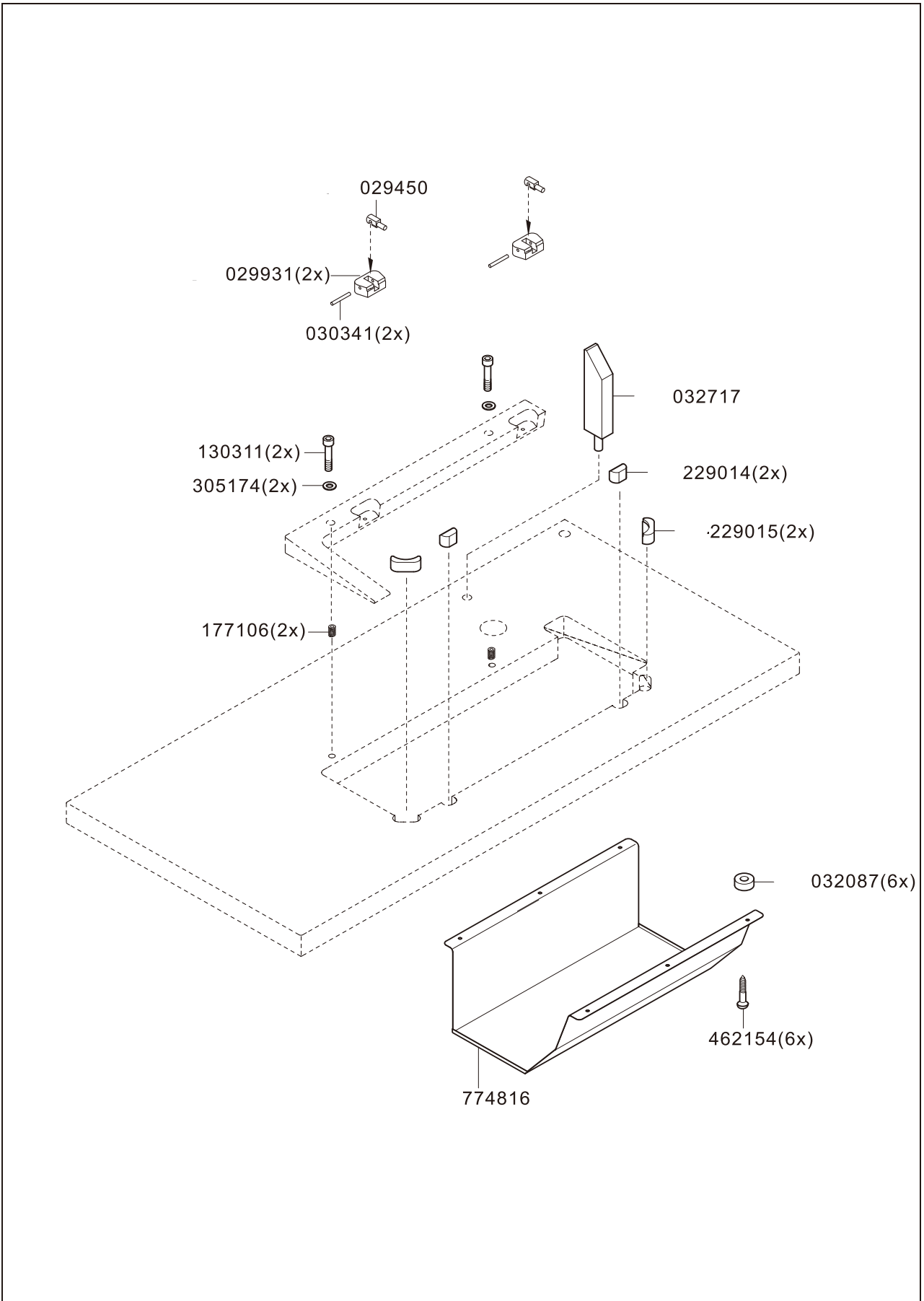


压脚自动提升器

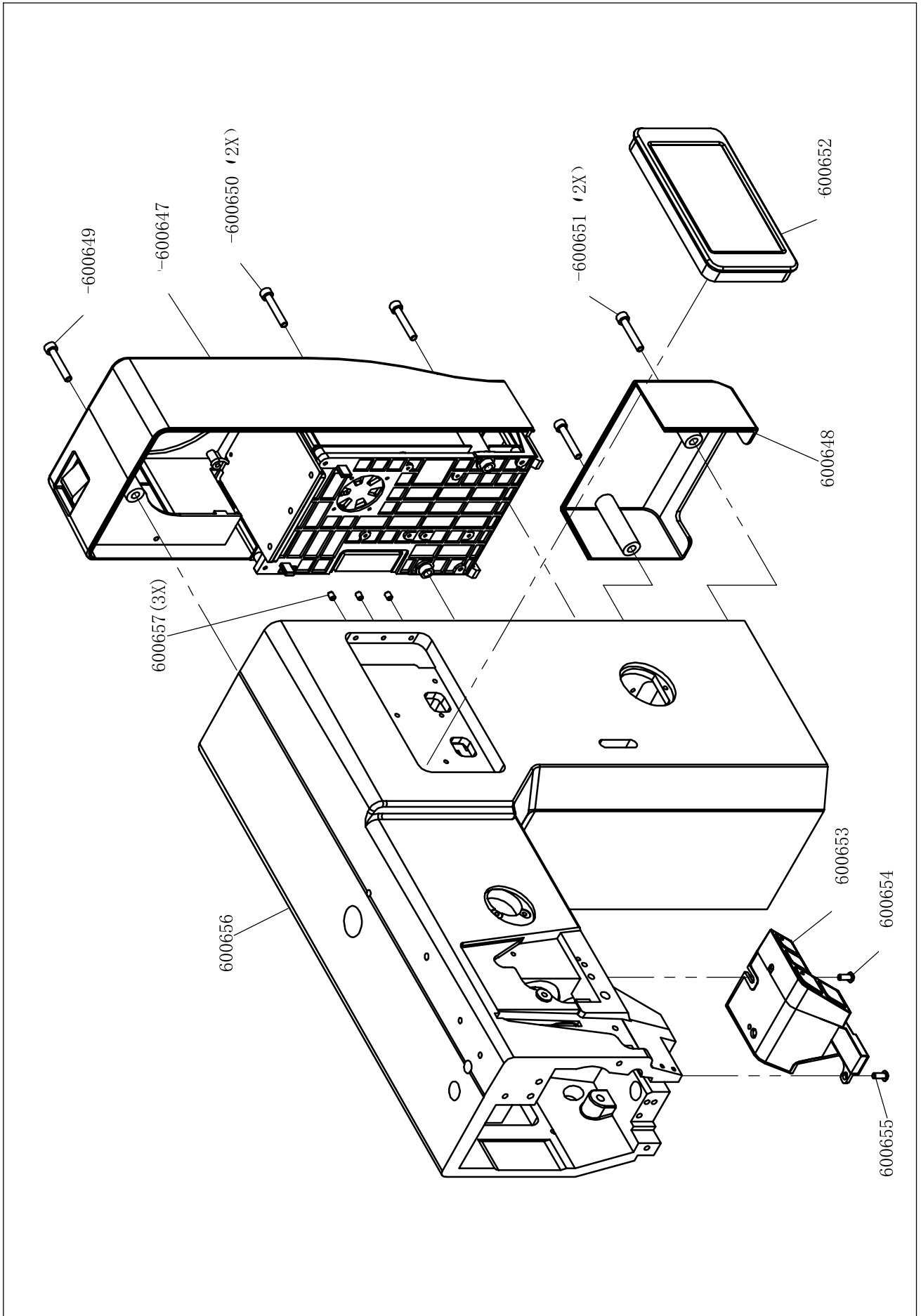
10 AUTOMATIC PRESSER FOOT LIFTER



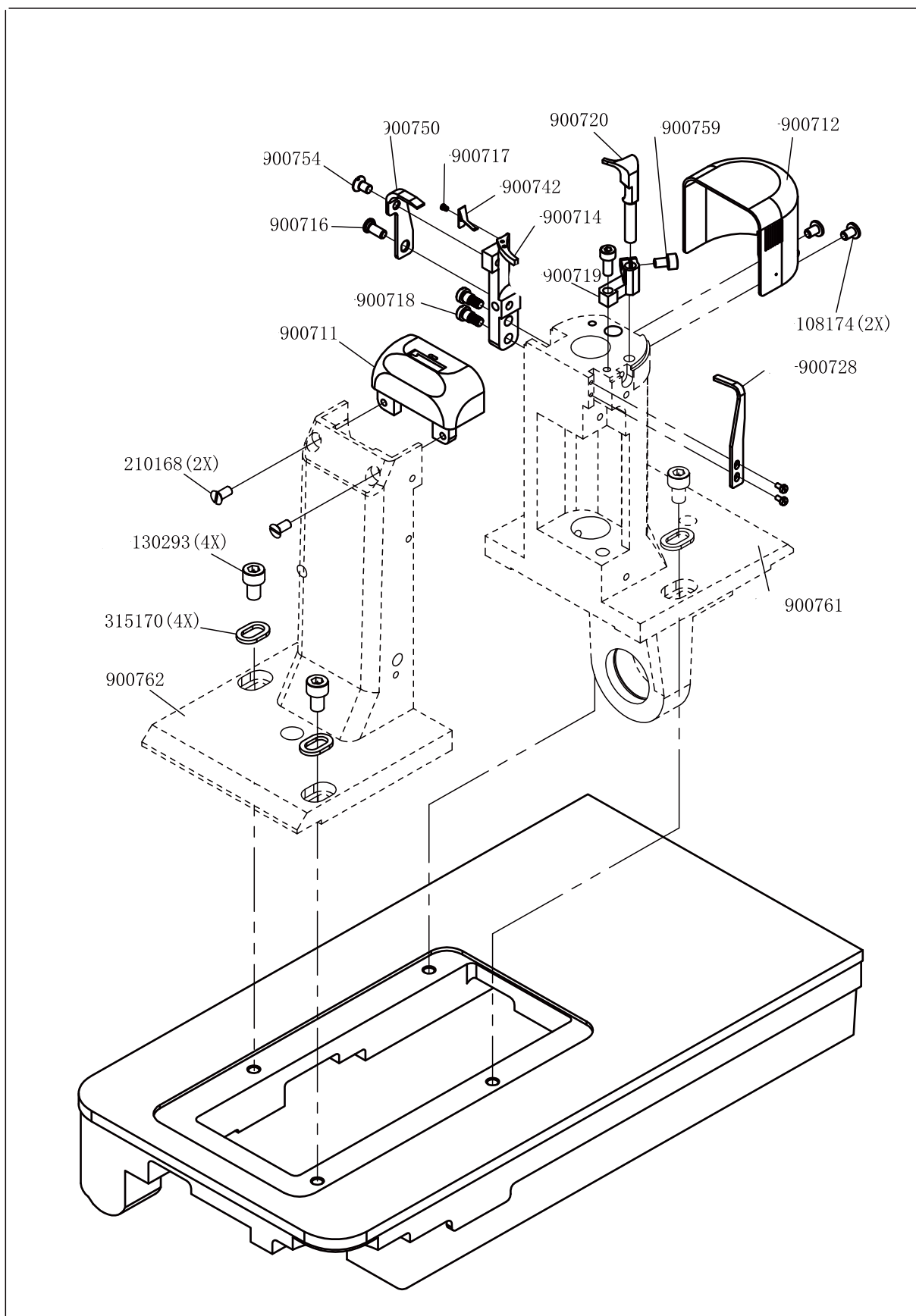
11 PARTS FOR TABLE TOP



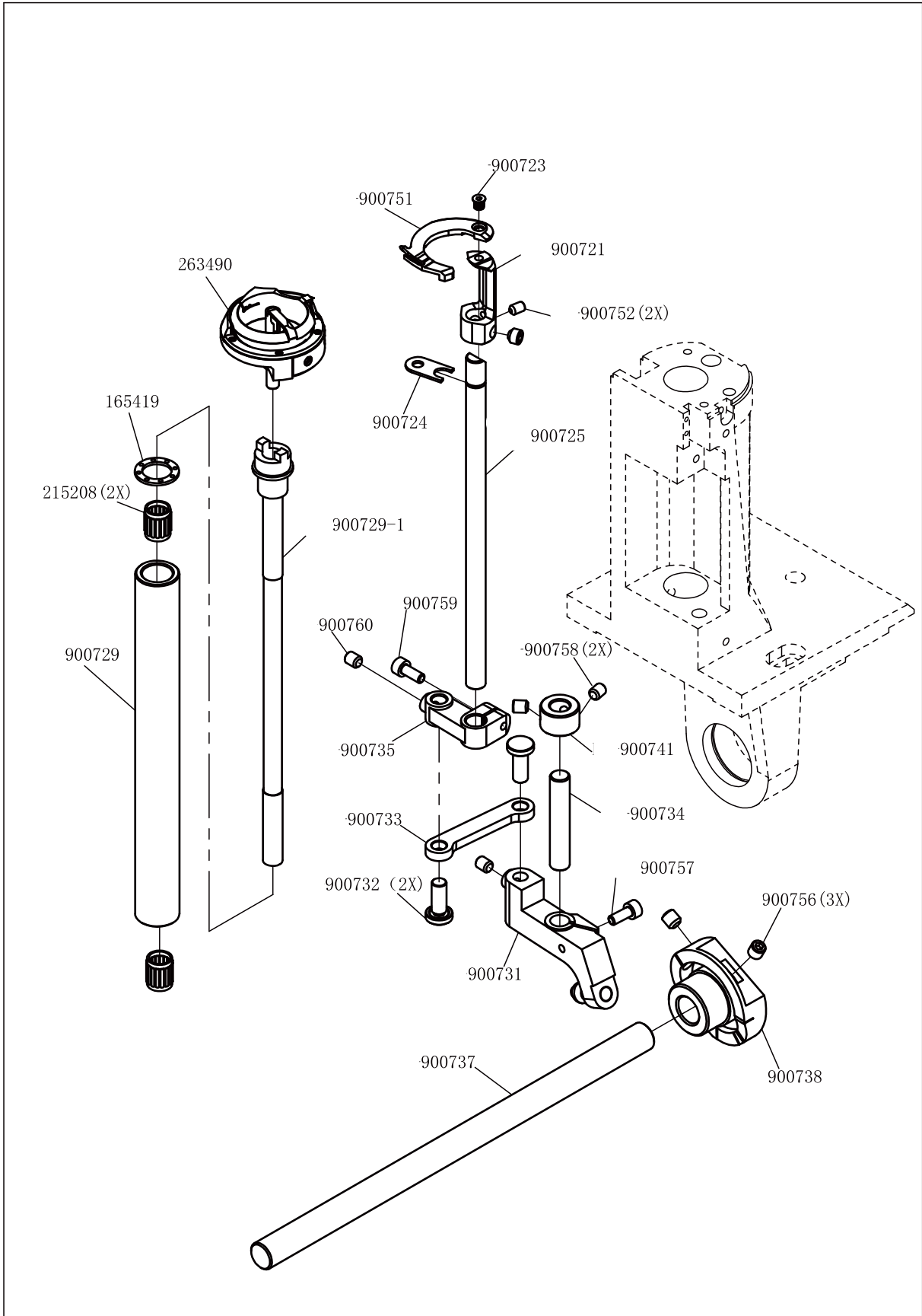
机身零件  
12. HOUSING SECTIONS



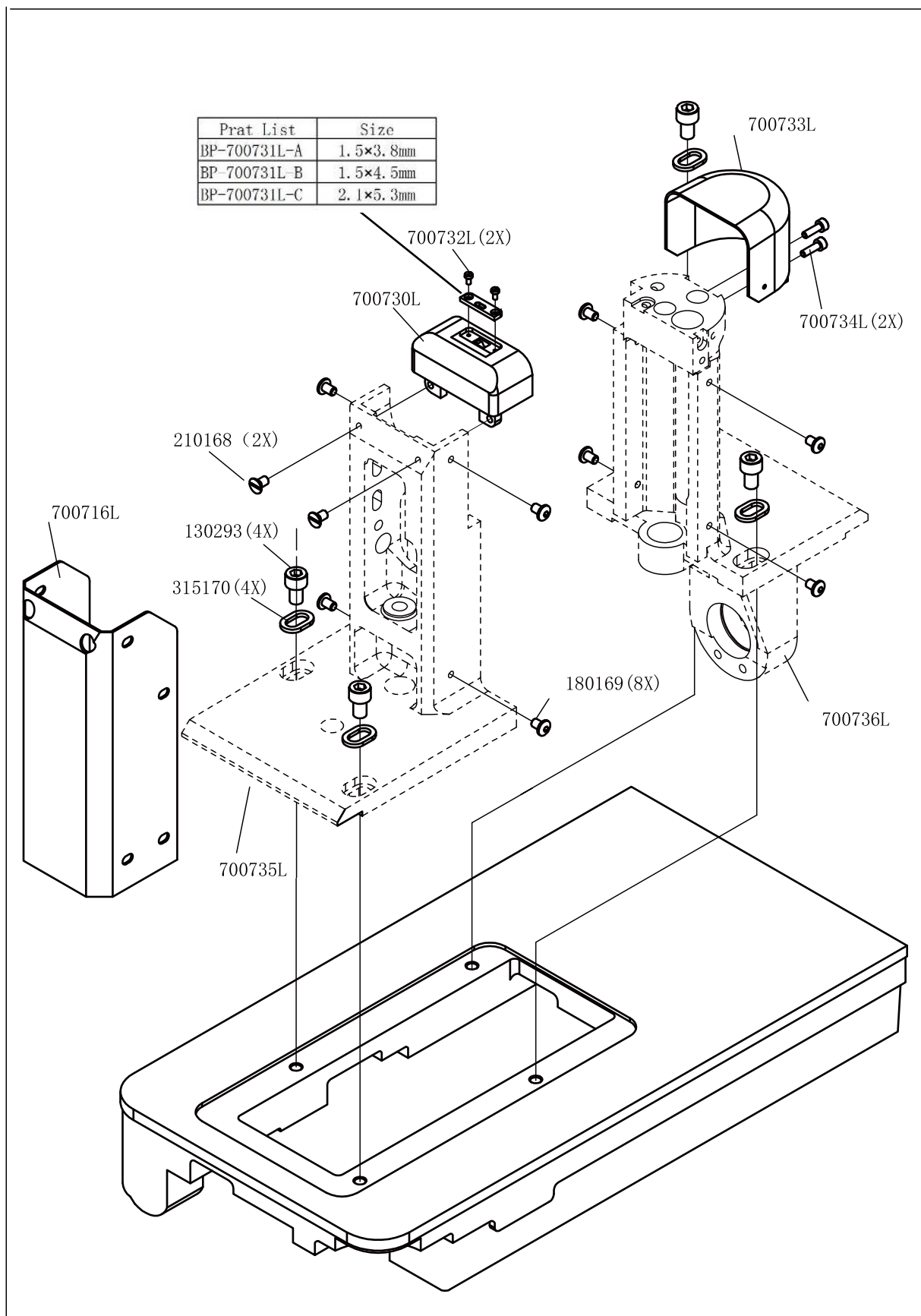
短切线(旋梭柱.左/旋梭柱.右)  
HOOK POST. LEFT / HOOK POST. RIGHT



短切线(旋梭柱.右/底板零件)  
HOOK POST. RIGHT / BEDPLATE PARTS



大梭(旋梭柱.左/旋梭柱.右)  
 HOOK POST. LEFT / HOOK POST. RIGHT



# 大梭(旋梭柱.右/底板零件)

## HOOK POST. RIGHT / BEDPLATE PARTS

